

# LED Safety Lights and Warning Lights - Model 527

## PRODUCT INFORMATION

<b>Description</b>	12-24V LED Green Zone Light
<b>Height</b>	123.70 mm / 4.87 in
<b>Width</b>	258.57 mm / 10.18 in
<b>Depth</b>	102.11 mm / 4.02 in
<b>Shape</b>	Rectangular
<b>Outer Lens Material</b>	Glass
<b>Outer Lens Color</b>	Clear
<b>Housing Material</b>	Xenoy
<b>Housing Color</b>	Black
<b>Mounting Hardware Description</b>	(x2) M8-1.25 Mounting Bolt
<b>Mounting Type</b>	Universal Pedestal Mount
<b>Minimum Operating Temperature</b>	-40 °C / -40 °F
<b>Maximum Operating Temperature</b>	65 °C / 149 °F
<b>Connector or Wiring</b>	Integrated 2-Pin Deutsch Weatherproof Socket (DT04-2P)
<b>Mating Connector</b>	Integrated 2-Pin Deutsch Weatherproof Plug (DT06-2S)
<b>Product Weight</b>	2.60 lbs / 1.18 kgs
<b>Shipping Weight</b>	5.60 lbs / 2.54 kgs
<b>Additional Information</b>	Due to the chromaticity of the green light, the green Model 527 will easily shine through fog.



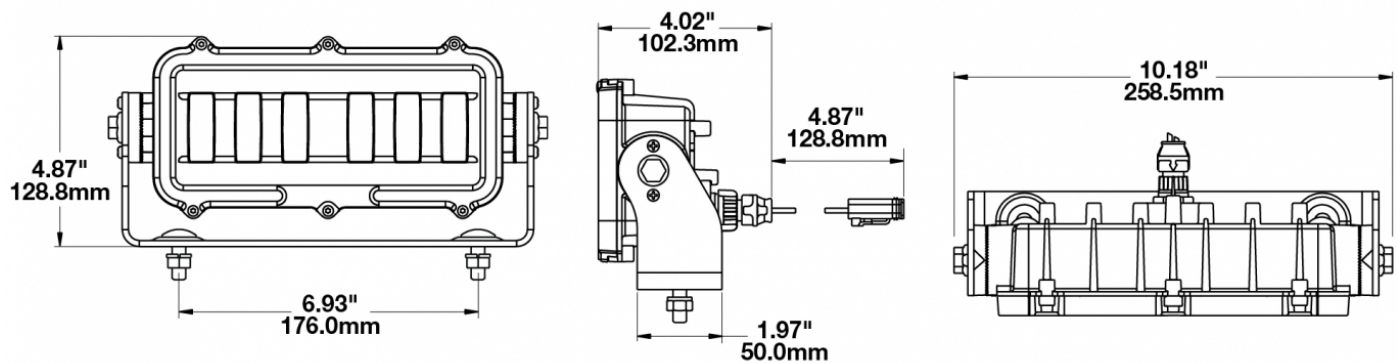
Print date: 2020-12-03

© 2020 J.W. Speaker Corporation • Germantown, WI U.S.A.  
 www.jwspeaker.com • speaker@jwspeaker.com • 262.251.6660

**J.W. SPEAKER**   
 Engineered. Lighting. Solutions.

# LED Safety Lights and Warning Lights - Model 527

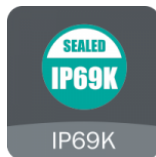
## PRODUCT DIMENSIONS



## ELECTRICAL SPECIFICATIONS

<b>Input Voltage</b>	12-24V DC
<b>Operating Voltage</b>	10-32V DC
<b>Transient Spike Protection</b>	150V Peak @ 1 HZ-100 Pul
<b>Red Wire</b>	Positive
<b>Black Wire</b>	Negative
<b>Current Draw</b>	1.2A @ 12V DC .8A @ 24V DC

## REGULATORY STANDARDS COMPLIANCE



Buy America Standards  
IEC IP69K

Eco Friendly

Print date: 2020-12-03

© 2020 J.W. Speaker Corporation • Germantown, WI U.S.A.  
www.jwspeaker.com • speaker@jwspeaker.com • 262.251.6660

**J.W. SPEAKER**  
Engineered. Lighting. Solutions.

# LED Safety Lights and Warning Lights - Model 527

## PHOTOMETRIC SPECIFICATIONS

---

<b>Raw Lumen Output</b>	1,500
<b>Effective Lumen Output</b>	590
<b>Beam Pattern(s)</b>	Forward Lighting - Spot Warning - Keep Out Zone

## APPLICATIONS

---



## PRODUCT WARNINGS

---

For California residents:

**⚠ WARNING:** Cancer and reproductive harm - [www.P65Warnings.ca.gov](http://www.P65Warnings.ca.gov).

**⚠ AVERTISSEMENT:** Cancer et effet nocif sur la reproduction - [www.P65Warnings.ca.gov](http://www.P65Warnings.ca.gov).

## ACCESSORIES

---



**Part Number**  
**8200151**

Rock Guard Kit for  
Model 527

---

**Print date: 2020-12-03**

© 2020 J.W. Speaker Corporation • Germantown, WI U.S.A.  
[www.jwspeaker.com](http://www.jwspeaker.com) • [speaker@jwspeaker.com](mailto:speaker@jwspeaker.com) • 262.251.6660

# LED Safety Lights and Warning Lights - Model 527

## RELATED PRODUCTS

---



**Part Number**  
**0549271**  
12-24V LED Red Zone  
Light



**Part Number**  
**0551261**  
12-24V LED White  
Zone Light



**Part Number**  
**0551281**  
12-24V LED Amber  
Zone Light



**Part Number**  
**0647011**  
12-24V LED Red &  
Green Signal Light



**Part Number**  
**0647021**  
12-24V LED Amber &  
Green Signal Light