

# LED Work Light - Model 4415

## PRODUCT INFORMATION

<b>Description</b>	12-24V LED Work Light with Spot Pattern & Side View Mirror Mount - 2 Light Kit
<b>Height</b>	110.00 mm / 4.33 in
<b>Width</b>	85.20 mm / 3.35 in
<b>Depth</b>	21.10 mm / 0.83 in
<b>Shape</b>	Round
<b>Outer Lens Material</b>	Polycarbonate
<b>Housing Material</b>	Die-Cast Aluminum
<b>Housing Color</b>	Black
<b>Mounting Hardware Description</b>	(x2) 0.500-13 x Bracket and Swivel
<b>Mounting Type</b>	Pedestal
<b>Minimum Operating Temperature</b>	-40 °C / -40 °F
<b>Maximum Operating Temperature</b>	85 °C / 185 °F
<b>Connector or Wiring</b>	Packard# 12084167
<b>Mating Connector</b>	Packard# 12059183
<b>Product Weight</b>	2.80 lbs / 1.27 kgs
<b>Shipping Weight</b>	2.30 lbs / 1.04 kgs
<b>Additional Information</b>	Kit includes 2 lights and necessary mounting hardware.



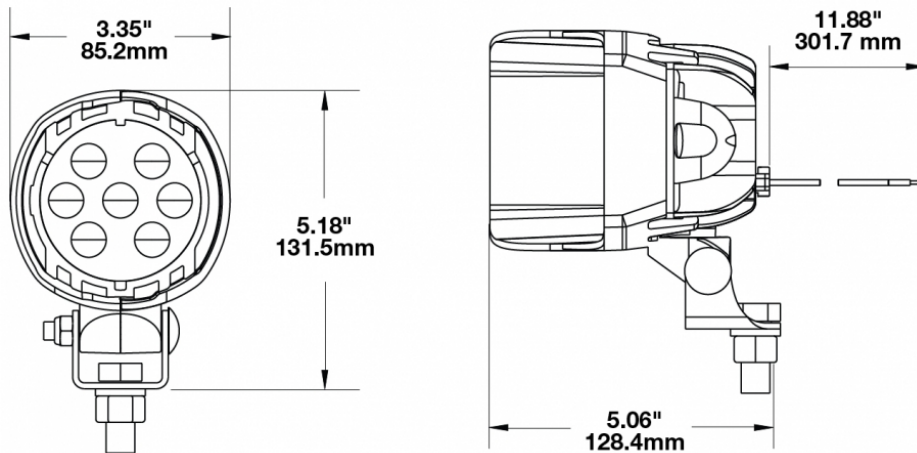
Print date: 2020-12-04

© 2020 J.W. Speaker Corporation • Germantown, WI U.S.A.  
 www.jwspeaker.com • speaker@jwspeaker.com • 262.251.6660

**J.W. SPEAKER®**  
 Engineered. Lighting. Solutions.

# LED Work Light - Model 4415

## PRODUCT DIMENSIONS



## ELECTRICAL SPECIFICATIONS

<b>Input Voltage</b>	12-24 V
<b>Operating Voltage</b>	10-32 V
<b>Red Wire</b>	Positive
<b>Black Wire</b>	Negative
<b>Current Draw</b>	2.20A @ 12V 1.10A @ 24V

## REGULATORY STANDARDS COMPLIANCE



Buy America Standards  
IEC IP67

Eco Friendly

Print date: 2020-12-04

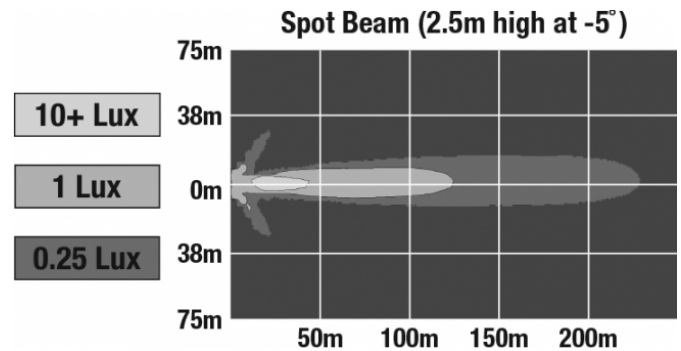
© 2020 J.W. Speaker Corporation • Germantown, WI U.S.A.  
www.jwspeaker.com • speaker@jwspeaker.com • 262.251.6660

**J.W. SPEAKER**  
Engineered. Lighting. Solutions.

# LED Work Light - Model 4415

## PHOTOMETRIC SPECIFICATIONS

<b>Raw Lumen Output</b>	2,450
<b>Effective Lumen Output</b>	1,350
<b>Nominal LED Color Temperature</b>	5000 K
<b>Beam Pattern(s)</b>	Forward Lighting - Spot



## APPLICATIONS



## INSTALLATION & APPLICATION INFORMATION

This kit is intended to be mounted on the side mirrors or forward of the driver with the shroud (snoot) oriented to block the light from the driver / operator's eyes, providing maximum visibility rearward.

The kit can also be mounted elsewhere on the truck, such as on the back or side of a sleeper cab, to provide additional lighting.

## PRODUCT WARNINGS

For California residents:

**⚠ WARNING:** Cancer and reproductive harm - [www.P65Warnings.ca.gov](http://www.P65Warnings.ca.gov).

**⚠ AVERTISSEMENT:** Cancer et effet nocif sur la reproduction - [www.P65Warnings.ca.gov](http://www.P65Warnings.ca.gov).

Print date: 2020-12-04

© 2020 J.W. Speaker Corporation • Germantown, WI U.S.A.  
www.jwspeaker.com • speaker@jwspeaker.com • 262.251.6660

**J.W. SPEAKER**  
Engineered. Lighting. Solutions.

# LED Work Light - Model 4415

## ACCESSORIES

---



**Part Number**  
**3271561**  
4 PIN M12 CABLE, 10  
m



**Part Number**  
**3271571**  
M12-RCA  
CONVERSION CABLE



**Part Number**  
**3271581**  
4 PIN M12 CABLE, 6 m



**Part Number**  
**6149203**  
A-Pillar Mounting Kit  
for Jeep JK



**Part Number**  
**6149233**  
A-Pillar Mounting Kit  
for Jeep TJ



**Part Number**  
**6600801**  
COLOR MONITOR, 5",  
M12



**Part Number**  
**8200491**  
Mounting Kit For Work  
Lights

# LED Work Light - Model 4415

## RELATED PRODUCTS

---



**Part Number**  
**0549841**

12-24V LED Work Light  
with Trapezoid Pattern



**Part Number**  
**0551001**

12-24V LED Work Light  
with Spot Pattern



**Part Number**  
**0554201**

12-110V LED Work  
Light with Trapezoid  
Pattern



**Part Number**  
**0555341**

12-24V LED Work Light  
with Spot Pattern &  
Panel Mount



**Part Number**  
**0555411**

12-24V LED Work Light  
with Flood Pattern &  
Harness



**Part Number**  
**0555461**

12-24V LED Work Light  
with Flood Pattern &  
Panel Mount



**Part Number**  
**0559913**

Model 4415 Mirror  
Mount LED Work Light  
with Camera



**Part Number**  
**660841**

7" Split Screen Monitor