

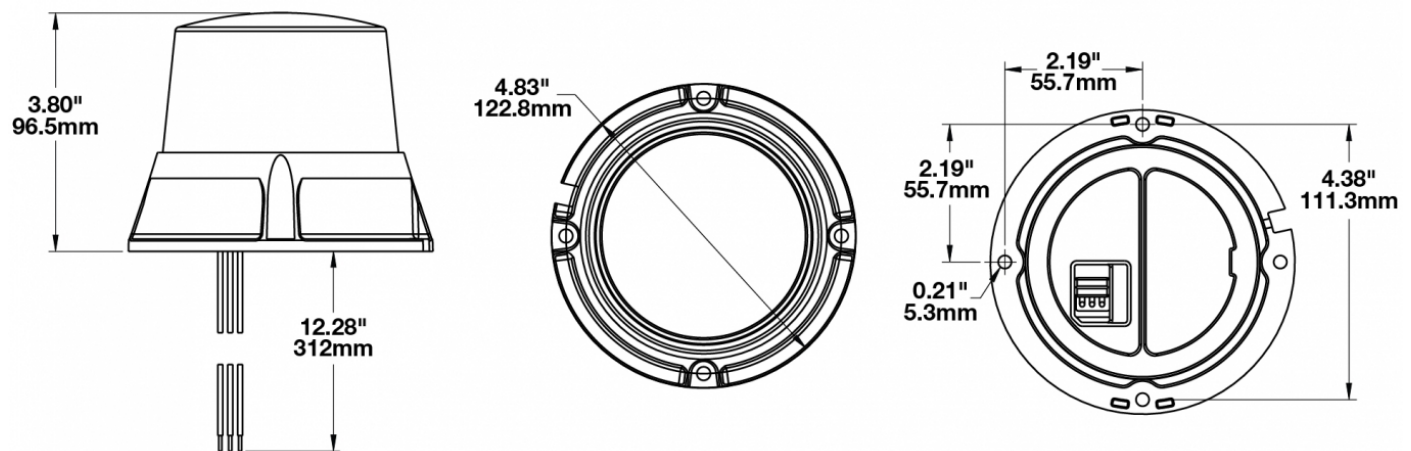
LED Strobe Lights - Model 406

PRODUCT INFORMATION

Description	12-80V LED Amber Class II Strobe Light with Magnet Mount & Adapter
Height	96.52 mm / 3.8 in
Width	121.92 mm / 4.8 in
Depth	121.92 mm / 4.8 in
Shape	Round
Outer Lens Material	Polycarbonate
Outer Lens Color	Amber
Housing Material	Polycarbonate
Housing Color	Black
Mounting Type	Magnet Mount
Minimum Operating Temperature	-40 °C / -40 °F
Maximum Operating Temperature	60 °C / 140 °F
Connector or Wiring	12 FT power cord w/ Cigarette Plug #211
Product Weight	1.10 lbs / 0.5 kgs
Shipping Weight	1.32 lbs / 0.6 kgs
Additional Information	Built with a vehicle power adapter



PRODUCT DIMENSIONS



Print date: 2020-12-03

© 2020 J.W. Speaker Corporation • Germantown, WI U.S.A.
 www.jwspeaker.com • speaker@jwspeaker.com • 262.251.6660

J.W. SPEAKER 
 Engineered. Lighting. Solutions.

LED Strobe Lights - Model 406

ELECTRICAL SPECIFICATIONS

Input Voltage	12-80V DC
Operating Voltage	9-110V DC
Yellow Wire	Mode
Current Draw	0.345A @ 12V DC 0.225A @ 24V DC 0.163A @ 36V DC 0.131A @ 48V DC 0.100A @ 72V DC

REGULATORY STANDARDS COMPLIANCE



Buy America Standards	ECE Reg 10
Eco Friendly	IEC IP67
IEC IP69K	SAE J845
UL Recognized	

PHOTOMETRIC SPECIFICATIONS

Candela Output	280
Beam Pattern(s)	Warning - Rotating Warning Warning - Strobe
Flash Rate 1	Beacon
Flash Rate 2	Quadruple 480
Flash Rate 3	Fast 540
Flash Rate 4	Double 240
Flash Rate 5	Burst 300
Flash Rate 6	Steady Flash 60

Print date: 2020-12-03

© 2020 J.W. Speaker Corporation • Germantown, WI U.S.A.
www.jwspeaker.com • speaker@jwspeaker.com • 262.251.6660

J.W. SPEAKER 
Engineered. Lighting. Solutions.

LED Strobe Lights - Model 406

APPLICATIONS



PRODUCT WARNINGS

For California residents:

⚠ WARNING: Cancer and reproductive harm - www.P65Warnings.ca.gov.

⚠ AVERTISSEMENT: Cancer et effet nocif sur la reproduction - www.P65Warnings.ca.gov.

LED Strobe Lights - Model 406

ACCESSORIES



Part Number
0728301

Pipe Mount with Fold-Down Bracket for DIN Pole Mount



Part Number
0728311

Pipe Mount with L Bracket for DIN Pole Mount



Part Number
0728321

Pipe Mount with Straight Bracket for DIN Pole Mount



Part Number
0728331

Pipe Mount with Threaded Pipe Mount for DIN Pole Mount



Part Number
0728341

Pipe Mount with Weld-on Bracket for DIN Pole Mount



Part Number
8200213

DIN Pole Mount for 406 & 407 LED Strobe Lights

RELATED PRODUCTS



Part Number
0646501

12-80V LED Amber Class II Strobe Light



Part Number
0646531

12-80V LED Blue Class II Strobe Light



Part Number
0646541

12-80V LED Red Class II Strobe Light



Part Number
0646731

12-80V LED Amber Class II Strobe Light with DIN Pole Mount

Print date: 2020-12-03

© 2020 J.W. Speaker Corporation • Germantown, WI U.S.A.
www.jwspeaker.com • speaker@jwspeaker.com • 262.251.6660