

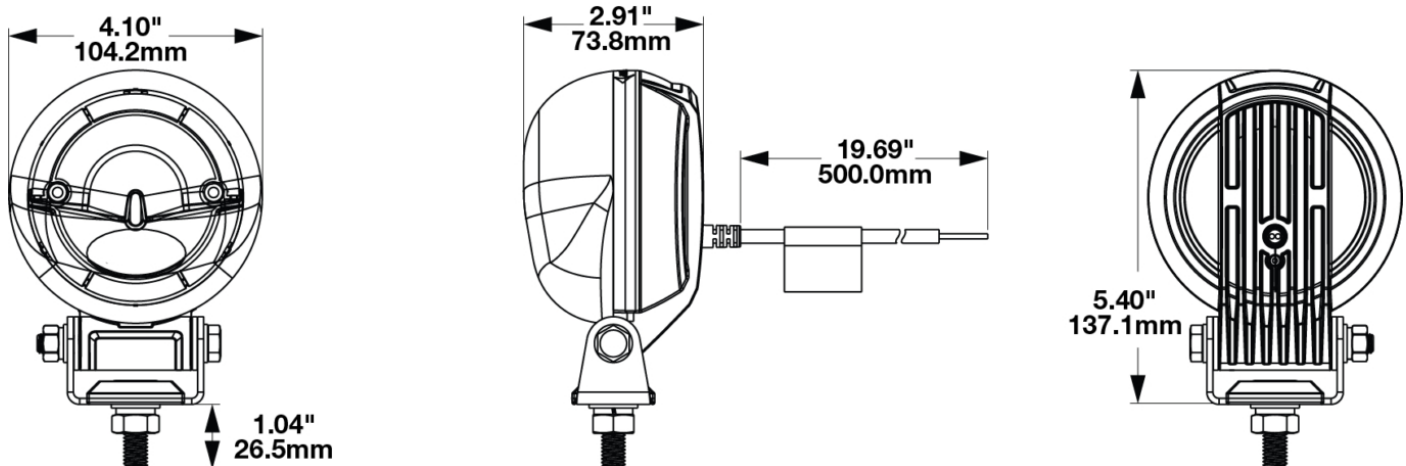
Model 777 - LED Forklift Warning Light and ARC Safety Light

PRODUCT INFORMATION

Description	12-72V ARC Warning Light Red
Height	137.10 mm / 5.4 in
Width	104.30 mm / 4.11 in
Depth	73.90 mm / 2.91 in
Shape	Round
Outer Lens Material	Polycarbonate
Outer Lens Color	Clear
Housing Material	Die-Cast Aluminum
Housing Color	Black
Bezel Color	Black
Mounting Hardware Description	M10-30mm M10 Stainless Steel
Mounting Type	Pedestal
Minimum Operating Temperature	-40 °C / -40 °F
Maximum Operating Temperature	65 °C / 149 °F
Connector or Wiring	19.5" Bare Leads (tinned)
Product Weight	1.50 lbs / 0.68 kgs
Shipping Weight	1.50 lbs / 0.68 kgs



PRODUCT DIMENSIONS



Print date: 2020-12-02

© 2020 J.W. Speaker Corporation • Germantown, WI U.S.A.
www.jwspeaker.com • speaker@jwspeaker.com • 262.251.6660

J.W. SPEAKER 
 Engineered. Lighting. Solutions.

Model 777 - LED Forklift Warning Light and ARC Safety Light

ELECTRICAL SPECIFICATIONS

Input Voltage	12-72V DC
Operating Voltage	10-80V DC
Transient Spike Protection	330V Peak @ 1 HZ-100 Pul
Black Wire	Ground
Red Wire	Power
Current Draw	1.20A @ 12V DC 0.60A @ 24V DC 0.40A @ 36V DC 0.30A @ 48V DC 0.24A @ 60V DC 0.20A @ 72V DC

REGULATORY STANDARDS COMPLIANCE



CISPR 22
IEC IP67

ECE Reg 10
Tested to ECE Reg. 10
(Radiated Emissions only)

Print date: 2020-12-02

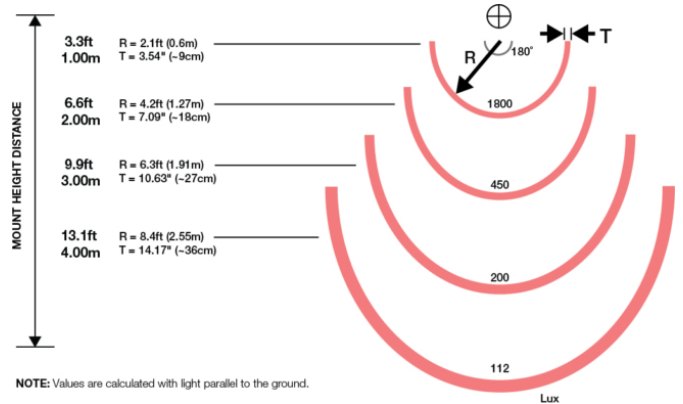
© 2020 J.W. Speaker Corporation • Germantown, WI U.S.A.
www.jwspeaker.com • speaker@jwspeaker.com • 262.251.6660

J.W. SPEAKER 
Engineered. Lighting. Solutions.

Model 777 - LED Forklift Warning Light and ARC Safety Light

PHOTOMETRIC SPECIFICATIONS

Beam Pattern(s) Warning - Keep Out Zone



APPLICATIONS



PRODUCT WARNINGS

For California residents:

⚠ WARNING: Cancer and reproductive harm - www.P65Warnings.ca.gov.

⚠ AVERTISSEMENT: Cancer et effet nocif sur la reproduction - www.P65Warnings.ca.gov.

Print date: 2020-12-02

© 2020 J.W. Speaker Corporation • Germantown, WI U.S.A.
www.jwspeaker.com • speaker@jwspeaker.com • 262.251.6660



Model 777 - LED Forklift Warning Light and ARC Safety Light

RELATED PRODUCTS



Part Number

1403561

12-72V ARC Warning
Light Blue



Part Number

1403571

12-72V ARC Warning
Light Green