

LED Safety Lights - Model 793

PRODUCT INFORMATION

Description	12-36V Red Stripe with Shroud, Long Bracket
Height	48.00 mm / 1.89 in
Width	150.00 mm / 5.91 in
Depth	97.00 mm / 3.82 in
Shape	Rectangular
Outer Lens Material	Polycarbonate
Outer Lens Color	Clear
Housing Material	Aluminum
Housing Color	Black
Bezel Color	Black
Mounting Hardware Description	(x1) 5/16"-18 x 1.00" Mounting Bolt Bracket
Mounting Type	Pedestal
Minimum Operating Temperature	-40 °C / -40 °F
Maximum Operating Temperature	65 °C / 149 °F
Connector or Wiring	Deutsch DT04-2P
Mating Connector	Deutsch DT06-2S with harness included with flying leads
Product Weight	0.90 lbs / 0.41 kgs
Shipping Weight	1.09 lbs / 0.49 kgs



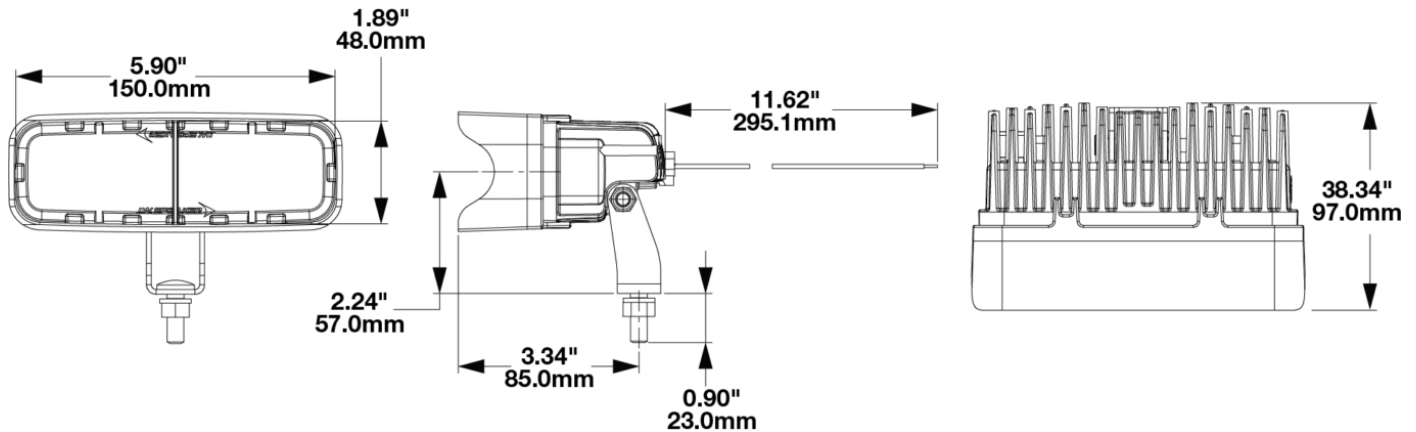
Print date: 2020-12-02

© 2020 J.W. Speaker Corporation • Germantown, WI U.S.A.
 www.jwspeaker.com • speaker@jwspeaker.com • 262.251.6660

J.W. SPEAKER®
 Engineered. Lighting. Solutions.

LED Safety Lights - Model 793

PRODUCT DIMENSIONS



ELECTRICAL SPECIFICATIONS

Input Voltage	12-36 V
Operating Voltage	10-45 V
Current Draw	1.6A @ 12V .6A @ 24V .57A @ 36V

REGULATORY STANDARDS COMPLIANCE



IEC IP69K

Print date: 2020-12-02

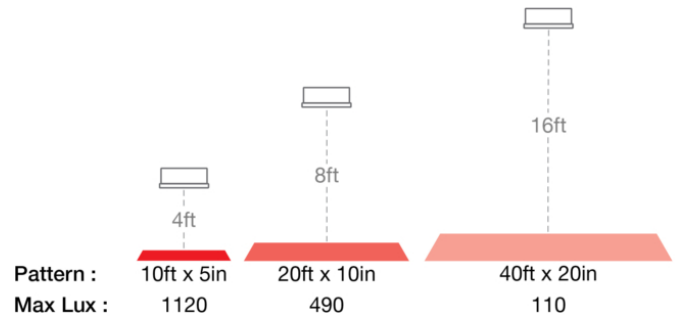
© 2020 J.W. Speaker Corporation • Germantown, WI U.S.A.
www.jwspeaker.com • speaker@jwspeaker.com • 262.251.6660

J.W. SPEAKER
Engineered. Lighting. Solutions.

LED Safety Lights - Model 793

PHOTOMETRIC SPECIFICATIONS

Beam Pattern(s) Warning - Keep Out Zone



APPLICATIONS



PRODUCT WARNINGS

For California residents:

⚠️ **WARNING:** Cancer and reproductive harm - www.P65Warnings.ca.gov.

⚠️ **AVERTISSEMENT:** Cancer et effet nocif sur la reproduction - www.P65Warnings.ca.gov.

Print date: 2020-12-02

© 2020 J.W. Speaker Corporation • Germantown, WI U.S.A.
www.jwspeaker.com • speaker@jwspeaker.com • 262.251.6660

J.W. SPEAKER
 Engineered. Lighting. Solutions.

LED Safety Lights - Model 793

RELATED PRODUCTS



Part Number
1603631
12-36V LED Red, Short
Bracket



Part Number
1603641
12-36V LED Blue, Short
Bracket



Part Number
1603651
12-36V LED Amber
Stripe Zone Light,
Short Bracket



Part Number
1603681
12-36V LED Red Stripe
Zone Light with
Shroud, Short Bracket



Part Number
1603761
12-36V LED Red Stripe,
Long Bracket



Part Number
1603771
12-36V LED Blue
Stripe, Long Bracket



Part Number
1603781
12-36V Amber Stripe
Zone Light, Long
Bracket



Part Number
1603811
48-110V LED Red
Stripe Zone Light,
Short Bracket