

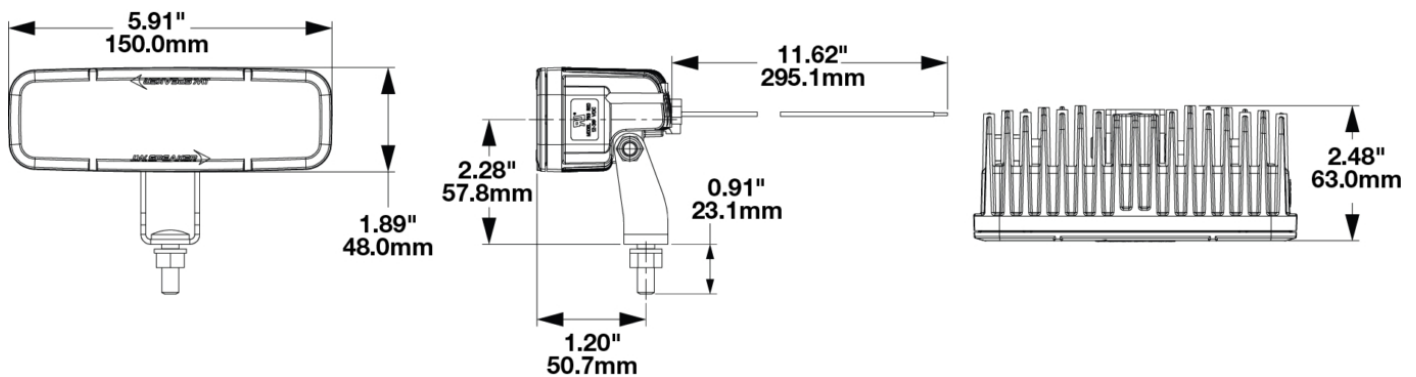
LED Safety Lights - Model 793

PRODUCT INFORMATION

Description	48-110V LED Blue Stripe Zone Light, Long Bracket
Product Weight	0.79 lbs / 0.36 kgs
Shipping Weight	0.98 lbs / 0.44 kgs



PRODUCT DIMENSIONS



Print date: 2020-12-02

© 2020 J.W. Speaker Corporation • Germantown, WI U.S.A.
www.jwspeaker.com • speaker@jwspeaker.com • 262.251.6660

J.W. SPEAKER
 Engineered. Lighting. Solutions.

LED Safety Lights - Model 793

ELECTRICAL SPECIFICATIONS

Input Voltage	48-110V DC
Operating Voltage	38-120V DC
Transient Spike Protection	330V Peak @ 1 HZ-100 Pulses
red Wire	power
black Wire	ground
Current Draw	0.350A @ 48V DC 0.409A @ 60V DC 0.350A @ 72V DC 0.407A @ 80V DC

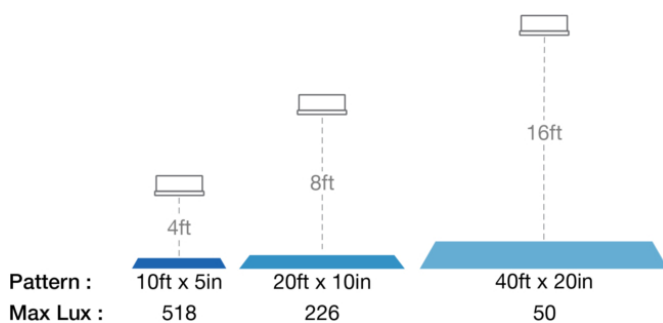
REGULATORY STANDARDS COMPLIANCE



IEC IP69K

UL Recognized

PHOTOMETRIC SPECIFICATIONS



Print date: 2020-12-02

© 2020 J.W. Speaker Corporation • Germantown, WI U.S.A.
www.jwspeaker.com • speaker@jwspeaker.com • 262.251.6660

LED Safety Lights - Model 793

APPLICATIONS



PRODUCT WARNINGS

For California residents:

⚠ WARNING: Cancer and reproductive harm - www.P65Warnings.ca.gov.

⚠ AVERTISSEMENT: Cancer et effet nocif sur la reproduction - www.P65Warnings.ca.gov.

LED Safety Lights - Model 793

RELATED PRODUCTS



Part Number
1603631
12-36V LED Red, Short Bracket



Part Number
1603641
12-36V LED Blue, Short Bracket



Part Number
1603651
12-36V LED Amber Stripe Zone Light, Short Bracket



Part Number
1603681
12-36V LED Red Stripe Zone Light with Shroud, Short Bracket



Part Number
1603761
12-36V LED Red Stripe, Long Bracket



Part Number
1603771
12-36V LED Blue Stripe, Long Bracket



Part Number
1603781
12-36V Amber Stripe Zone Light, Long Bracket



Part Number
1603791
12-36V Red Stripe with Shroud, Long Bracket